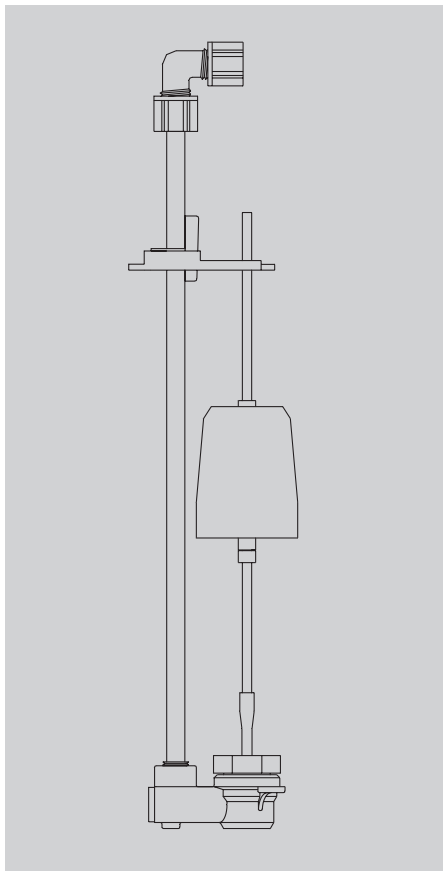


# 434 Brine Valve Series

Our popular 434 brine valve is available in three models; Standard, Control Flow and High Flow, to allow you to choose the best model for your application. The 434 brine valve can be used on residen-

tial and light commercial applications refilling up to one gallon per minute. The 434 is a non-air check brine valve. The Standard model is designed for use on systems utilizing non-timed refill. The Control and

High Flow models are designed for timed refill systems. Proven reliable for over 30 years, the 434 brine valve is just one of the many brine components available from Clack Corporation.



## System Features:

- Easily adjustable to fit all brine tanks and cabinets
- Fits both 3½" and 4" brine wells
- Can be used as brine refill shut-off valve or safety back-up float
- Refill and brine draw rates of up to 1 gpm
- Easily adjustable float setting
- Materials are FDA compliant and/or NSF certified

## Order Information

Order #	Description	Qty/Carton
H7009-14"	434 Standard 14" Float Rod	18
H7009-14"CF	434 Control Flow 14" Float Rod	18
H7009-14"HF	434 High Flow 14" Float Rod	18
H7009-24"	434 Standard 24" Float Rod	18
H7009-24"CF	434 Control Flow 24" Float Rod	18
H7009-24"HF	434 High Flow 24" Float Rod	18

Riser pipe, top elbow and polytube insert must be ordered separately. See back page for order numbers.

## 434 Reference Guide

Brine Valve Description	Color of Body	Hole Size in Body	Refill Ball in Body	Control Valve Refill Style	Control Valve Refill Flow Rate
Standard	Black	Small	Yes	No Timed Refill <sup>1</sup>	0.35 gpm <sup>2</sup>
Control Flow	Blue	Medium	Yes	Timed Refill	Up to 0.6 gpm
High Flow	White	Large	No	Timed Refill	Up to 1.0 gpm

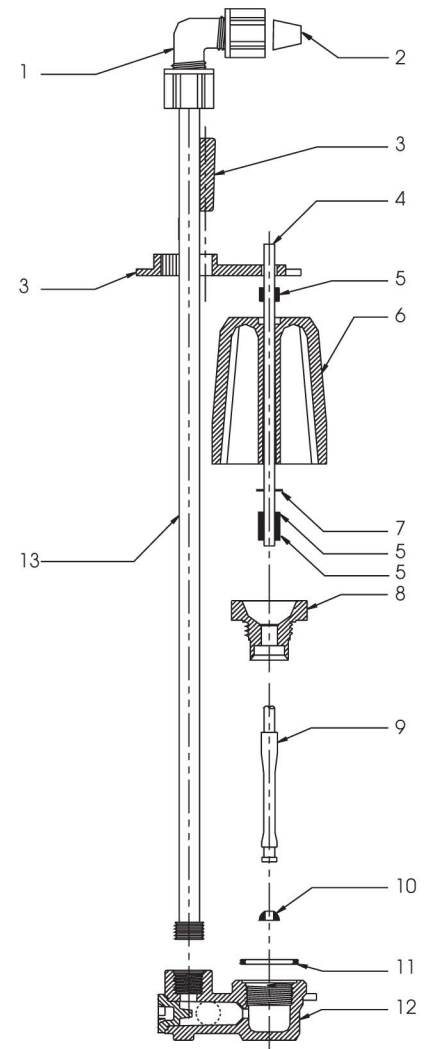
<sup>1</sup> The Standard brine valve should **not** be used on systems with timed brine refill flow controls.

<sup>2</sup> At 50 psi

## Detailed Assembly Information

Drawing Number	Order Number	Description
1	S1366	3/8" x 3/8" union elbow (must be purchased separately)
2	S1197	3/8" polytube insert (must be purchased separately)
3 or 3	H7041	1/4" guide and lock (sold as a set)
3	H7041-3/8	3/8" guide and lock (sold as a set)
4 or 4	H7038	float rod - 14"
4	H7038-01	float rod - 24"
5	H7039	float grommet (2 required for Standard 3 required for Control and High Flow)
6 or 6	H7040	light bell float (Standard)
6	H7040-02	heavy bell float (Control and High Flow)
7	H7042	washer (Standard only)
8	H7034	seat housing nut
9	H7036	float rod stem
10	H7037	half ball seat
11	H7035	quad ring
12 or 12	H7030	434 Standard body with ball (black)
12 or 12	H7030-01	434 High Flow body, no ball (white)
12	H7030-02	434 Control Flow body with ball (blue)
13 or 13	H1035-26.75*	3/8" x 26.75" rigid PVC (for 28" brine wells)
13 or 13	H1035-27.75*	3/8" x 27.75" rigid PVC (for 29" brine wells)
13 or 13	H1035-28.75*	3/8" x 28.75" rigid PVC (for 30" brine wells)
13	H1035-34.75*	3/8" x 34.75" rigid PVC (for 36" brine wells)

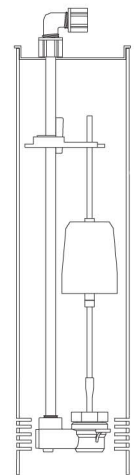
\*Riser pipe includes 1/4" male threaded fitting on one end.



## Brine Valve Assembly Kits

Order #	Description	Qty/Carton
H7075-28	434 high flow assembled in a 3.5" x 28" slotted brine well	25
H7077-28	434 control flow assembled in a 3.5" x 28" slotted brine well	25
H7075-29	434 high flow assembled in a 3.5" x 29" slotted brine well	25
H7077-29	434 control flow assembled in a 3.5" x 29" slotted brine well	25
H7075-30	434 high flow assembled in a 3.5" x 30" slotted brine well	25
H7077-30	434 control flow assembled in a 3.5" x 30" slotted brine well	25
H7075-36	434 high flow assembled in a 3.5" x 36" slotted brine well	25
H7077-36	434 control flow assembled in a 3.5" x 36" slotted brine well	25

All assemblies include a 3.5" brine well cap, 3/8" x 3/8" elbow, and 3/8" polytube insert. All assemblies are 100% air tested to insure proper functioning.



**Clack Corporation** 

**Distributed by: Aqua Purification Systems, Inc. - USA - Fax: 408-225-7974**

**E-mail: sales@aquapurification.com - www.aquapurification.com - www.birmfilter.com**