

# 474 Air Check Assembly

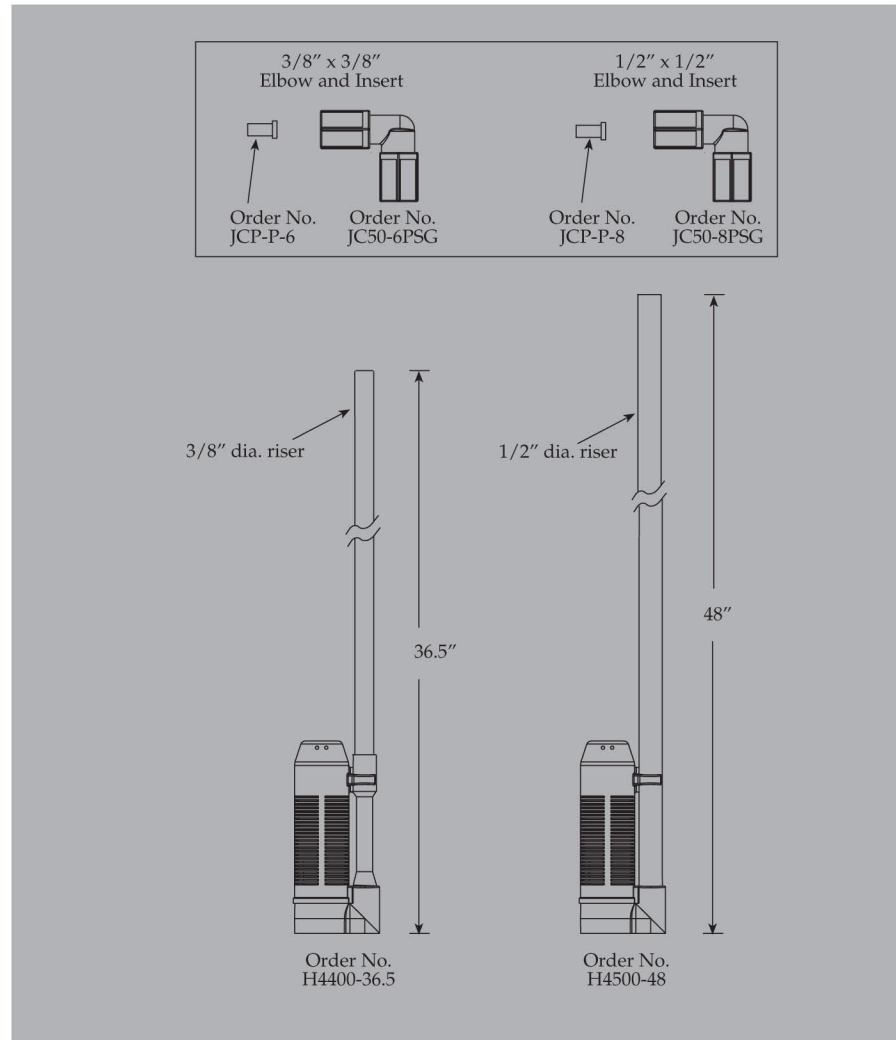
Our 474 air check assembly is designed to cover a wide range of applications and provide significantly higher flow rates than traditional brine delivery systems. It is available with a  $\frac{3}{8}$ " riser tube

for most residential applications or a  $\frac{1}{2}$ " riser tube for light commercial applications. The 474 air check assembly with  $\frac{1}{2}$ " riser is capable of providing brine draw and refill rates up to 2 gpm, greatly

extending its range of applications. All assemblies include riser pipe ( $\frac{3}{8}$ " or  $\frac{1}{2}$ " ) and air check . Also available are  $\frac{1}{2}$ " and  $\frac{3}{8}$ " elbows and polytube inserts, which must be ordered separately.

## System Features:

- $\frac{3}{8}$ " or  $\frac{1}{2}$ " riser available
- Higher flow rates-refill and brine draw up to  $1\frac{1}{2}$  gpm with  $\frac{3}{8}$ " elbow, and up to 2 gpm with  $\frac{1}{2}$ " elbow
- Fits both  $3\frac{1}{2}$ " and 4" brine wells
- Riser length can be adjusted to fit all brine tanks and cabinets
- All assemblies are air tested to insure proper performance
- Built-in air check ball prevents air from being drawn into the system
- $\frac{1}{2}$ " air check can be used for light commercial applications



Order Information			
Order No.	Description	Order No.	Description
H4400-36.5	474 Air Check $\frac{3}{8}$ " x 36.5"	JCP-P-6	$\frac{3}{8}$ " Polytube Insert
H4500-48	474 Air Check $\frac{1}{2}$ " x 48"	JC50-8PSG	$\frac{1}{2}$ " x $\frac{1}{2}$ " Union Elbow
JC50-6PSG	$\frac{3}{8}$ " x $\frac{3}{8}$ " Union Elbow	JCP-P-8	$\frac{1}{2}$ " Polytube Insert

All 474 Air Check Assemblies are packaged 24/carton. Please order even carton quantities.

Clack Corporation 

Distributed by: Aqua Purification Systems, Inc. - USA - Fax: 408-225-7974

E-mail: sales@aquapurification.com - www.aquapurification.com - www.birmfilter.com