

Residential Plastic Brine Grids

CONVENIENT...

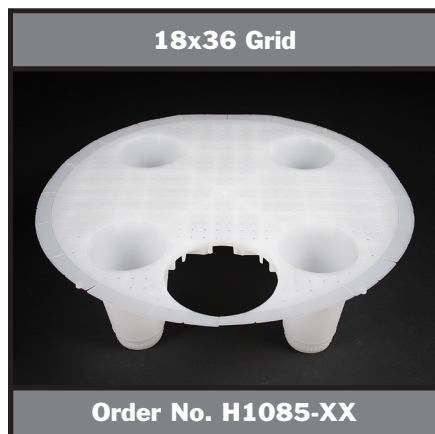
Nestable design and leg extensions reduce warehouse space and inventory. One piece design eliminates lost and misplaced parts. Available with holes for 4" or 3½" brine wells and blank for custom fabrication.

ECONOMICAL...

One piece construction eliminates assembly time required with old style grids. Nestable, light weight design substantially reduces shipping.

DURABLE...

Rugged molded Polyethylene will not transmit taste, color or odor. Ribbed design provides maximum strength.



See backside for order numbers for all grid options (-XX).

Residential Plastic Brine Grids



ORDER NUMBER	DESCRIPTION	QUANTITY/ CARTON	WEIGHT/ CARTON
H1070-01	11x11 Grid with 4" Hole	25	20 Lbs.
H1070-02	11x11 Grid with 3½" Hole	25	20 Lbs.
H1069-01	14x14 Grid with 4" Hole	25	21 Lbs.
H1069-02	14x14 Grid with 3½" Hole	25	21 Lbs.
H1071-01	15x17 Grid with 4" Hole	25	22 Lbs.
H1071-02	15x17 Grid with 3½" Hole	25	22 Lbs.
H1085-01	18x36 Grid with 4" Hole	25	34 Lbs.
H1085-02	18x36 Grid with 3½" Hole	25	33 Lbs.
H1072-01	18x33 & 18x40 Grid with 4" Hole	25	37 Lbs.
H1072-02	18x33 & 18x40 Grid with 3½" Hole	25	37 Lbs.
H1072-03	18x33 & 18x40 Grid No Hole	25	37 Lbs.
H7072-01S	18x33 & 18x40 Grid with Screen, 4" Hole	25	37 Lbs.
H7072-02S	18x33 & 18x40 Grid with Screen, 3½" Hole	25	37 Lbs.
H7072-03S	18x33 & 18x40 Grid with Screen, No Hole	25	37 Lbs.
H1082	Caribbean III 4" Hole (7" Tank)	25	28 Lbs.
H1082-02	Caribbean III 4" Hole (9" Tank)	25	26 Lbs.
H1082-03	Caribbean III 4" Hole (10" Tank)	25	26 Lbs.
H1083-01	Caribbean III 3½" Hole (8" Tank)	25	27 Lbs.
H1083-02	Caribbean III 3½" Hole (9" Tank)	25	26 Lbs.
H1083-03	Caribbean III 3½" Hole (10" Tank)	25	26 Lbs.
H1090	Windsor 4" Hole (7" Tank)	25	31 Lbs.
H1090-01	Windsor 4" Hole (8" Tank)	25	30 Lbs.
H1090-02	Windsor 4" Hole (9" Tank)	25	29 Lbs.
H1090-03	Windsor 4" Hole (10" Tank)	25	29 Lbs.
H1091	Windsor 3½" Hole (7" Tank)	25	31 Lbs.
H1091-01	Windsor 3½" Hole (8" Tank)	25	30 Lbs.
H1091-02	Windsor 3½" Hole (9" Tank)	25	29 Lbs.
H1091-03	Windsor 3½" Hole (10" Tank)	25	29 Lbs.
H1073	3" Leg Extensions (4 per set)	25	10 Lbs.
H1073-01	6" Leg Extensions (4 per set)	25	16 Lbs.

